

LITTLE WONDER®

HIGH OUTPUT POWER BLOWER Swivel Wheel Kit Installation

9050-00-01

1. Verify that all parts were included in the kit. •
 - One frame assembly (Key #1)
 - Hardware bag including -
 - One clamp (Key #11)
 - - Two 5/16-18 x 1 1/8 bolts (Key #12)
 - - Two 5/16-18 Nylon Insert Nuts (Key #10)
 - - Three 5/16-18 Serrated Flange Lock Nuts (Key #14)
2. Rest your blower back on its handle. **NOTE:** You may need to drain the oil from the engine first.
3. [Use Figure 1 for steps 3 & 4.] Remove the nut and the axle bolt (A & E) that secures the front wheel in the bracket. Put the wheel, bolt, nut, sleeve and spacers aside (C, E, A, D, G) - you will need to assemble these to your new kit later.
4. Remove the three nuts holding the wheel bracket and bracket adapter on your blower; the nuts, bracket (B), and bracket adapter (G) will not be re-used.
5. [Use Figure 2 for steps 5-10.] Locate the clamp (Key #11) for the kit and place it on the lifting handle of the housing.
6. Place the frame assembly so the tube end slides into the clamp on the lifting handle and the mounting bracket fits over the three studs in the housing where the wheel bracket was mounted.
7. Use the nuts (Key #14) to secure the frame assembly to the housing. Tighten to 19 ft. lbs.
8. Once the unit is tightened to the housing, use the two nuts and bolts supplied (Key #10 & 12) to tighten the clamp around the handle and tube end of the assembly. Install the clamp so that the bolts are between the handle and the housing.
9. Assemble the front wheel to the assembly as it was assembled to the old wheel bracket.
10. Now that it is assembled, set the blower up on its wheels. Check your oil level, and you are ready to go!

OPERATION

The unit can be used in two different positions
-locked and unlocked.

- The first position (locked) is how the unit will be shipped to you. This position locks the wheel straight so it can be used like your standard unit.
- The second position (unlocked) will allow the front wheel to rotate 360 degrees and turn the unit without lifting the front end. To unlock the wheel, lift the indexing handle (Key #9) and turn it until the end of the handle fits into the indent.

⚠ CAUTION ⚠
DO NOT leave blower unattended.
DO NOT leave blower on uneven ground where it has an increased tendency to roll away.

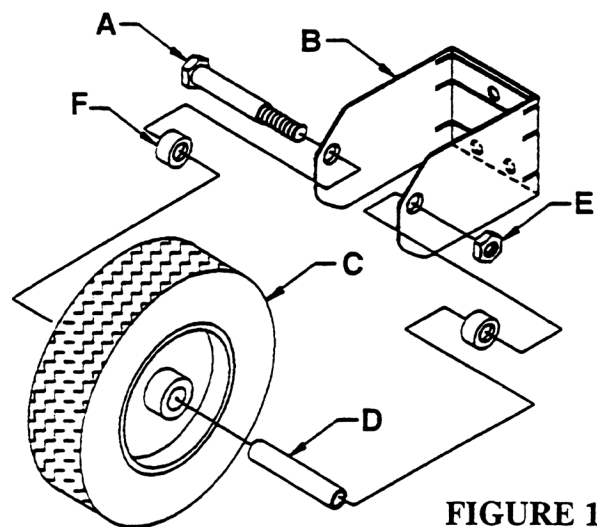


FIGURE 1

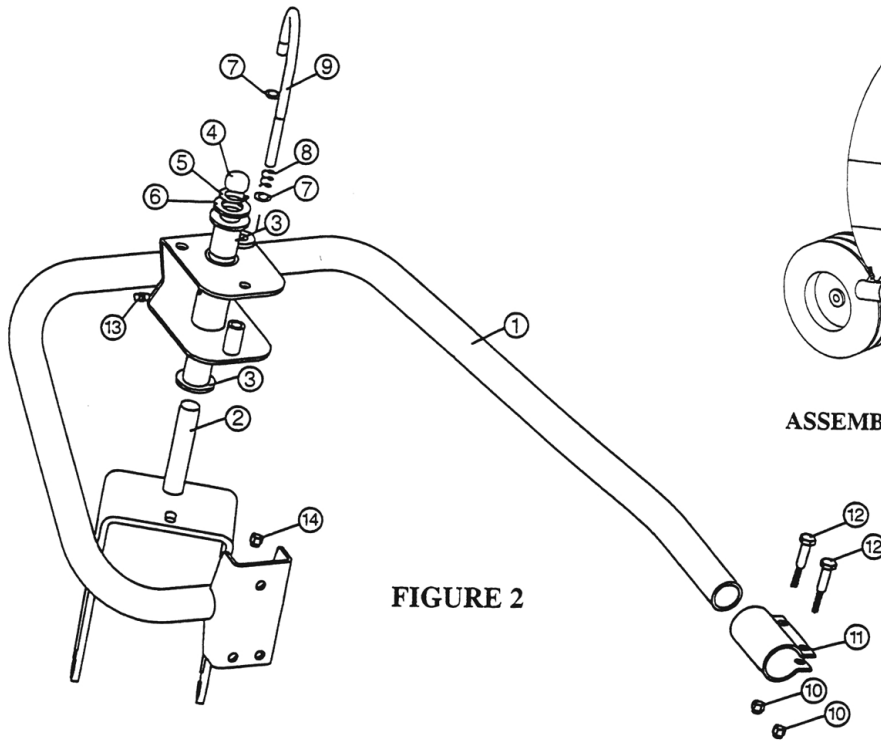
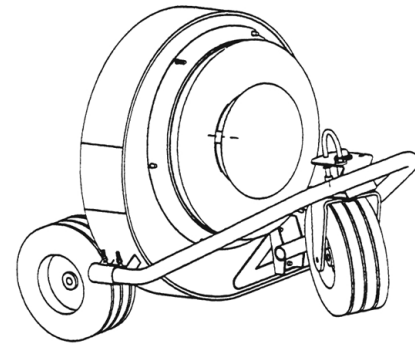


FIGURE 2



**FIGURE 3
ASSEMBLED SWIVEL WHEEL KIT**

Key No.	Part Number	Description	Qty
1	911201.7	Frame Assembly	1
2	911222.7	Wheel Yoke Assembly	1
3	911237	Oil-Lite Bushings	2
4	200110	Cap	1
5	910521	Retaining Ring	1
6	910520	Washer-3/4" IDx 1-1/2" OD x 1/8	1
7	8-18	Retaining Ring	2
8	911233	Spring	1
9	911230	Index handle-Chrome Zinc	1
10	114C	Nylon-Insert Nut	2
11	911235	Clamp-Chrome Zinc	1
12	910519	Bolt-5/16-18 x 1-1/8	2
13	85010N	Grease Fitting	1
14	114B	Nut-wiz flange 5/16-18	3

**LITTLE
WONDER®**

SCHILLER GROUNDS CARE, INC.
1028 STREET ROAD, P.O. BOX 38 • SOUTHAMPTON, PA 18966
PHONE: 215-357-5110 • FAX: 215-357-8045

© 2010 Schiller Grounds Care, Inc. All Rights Reserved P/N 4163239 Rev, A